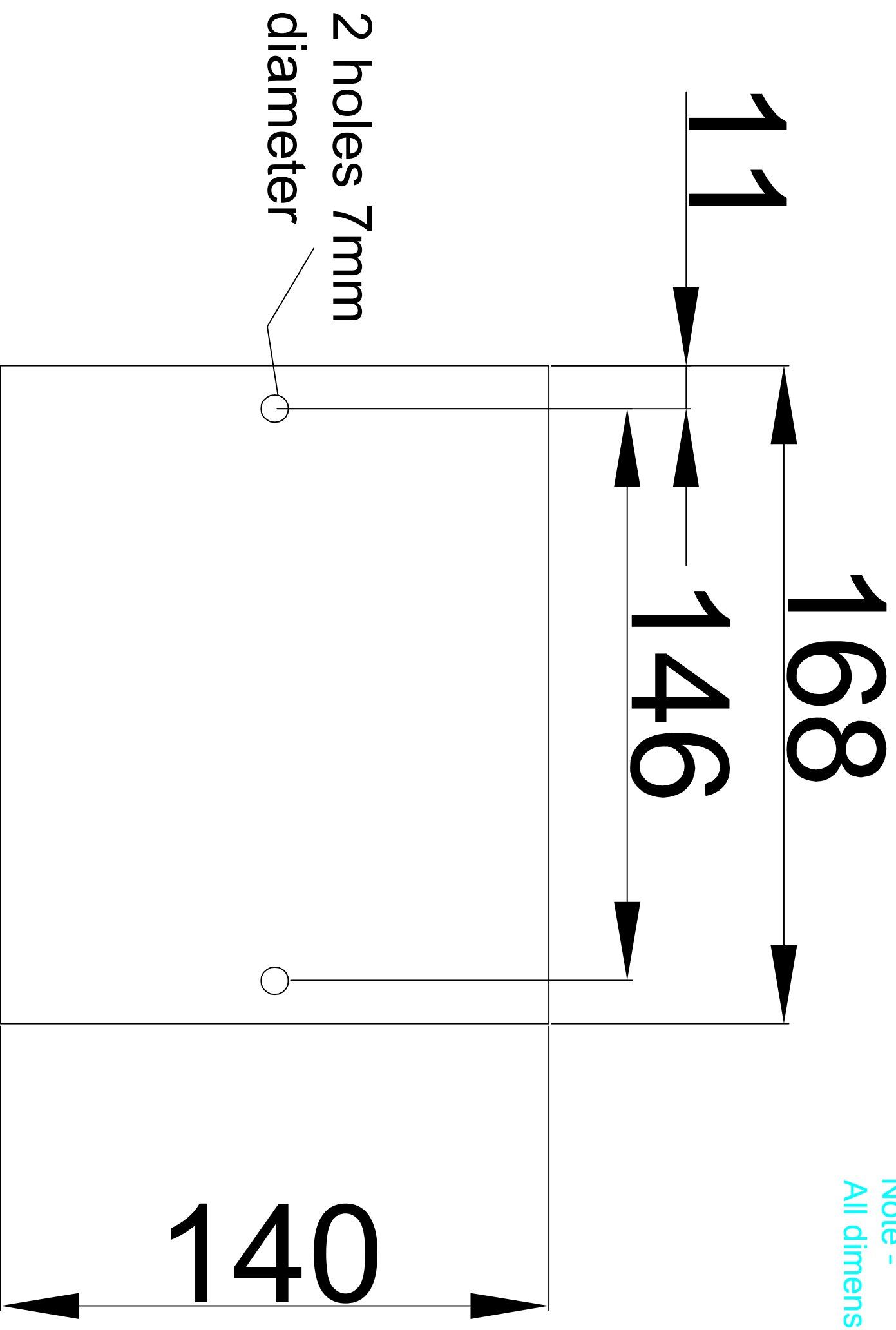


Note -
All dimensions in mm



Material 4mm Polycarbonate

Ref.	Qty.	Description			Part Number		
Designed by	DB	Checked by	Approved by - date	Filename	Date	4-2-2008	Scale
© SHM Communications Ltd 2008				Terminal Cover Plate			
Drawing No.		Edition		Sheet			
MD1066 - United Engineering							